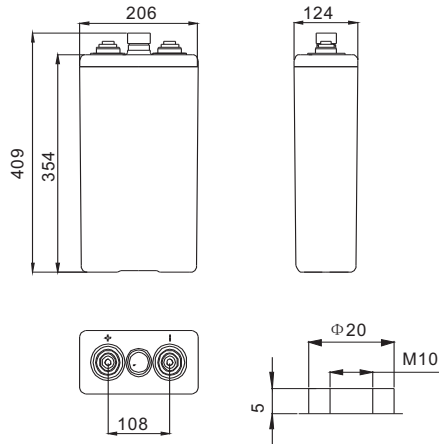


# CFPS [OPzS] Series

## CFPS2250 2V250Ah

**FirstPower®**

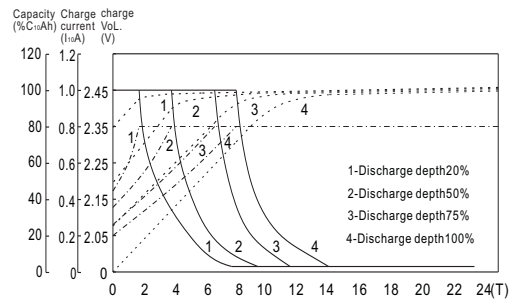
### Dimension



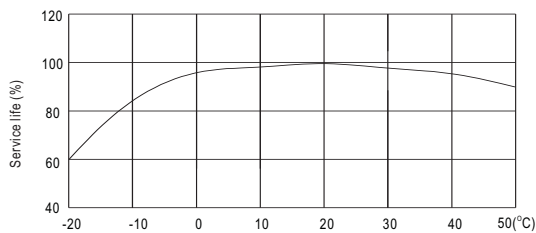
### Specification

Nominal Voltage	2 V	
Capacity(10HR, 25°C)	250 Ah	
Dimension	Length	124mm
	Width	206mm
	Height	354mm
	Total Height	409mm
Approx.mass(without electrolyte)	16.3kg	
Approx.mass(with electrolyte)	20.9kg	

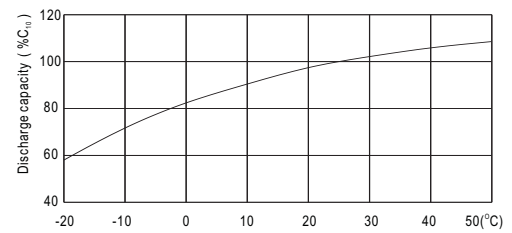
### Charge characteristic curve(20°C)



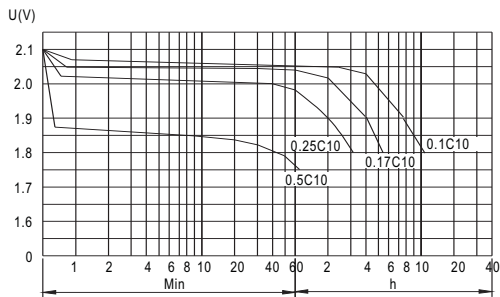
### Relation curves of service life and ambient temperature



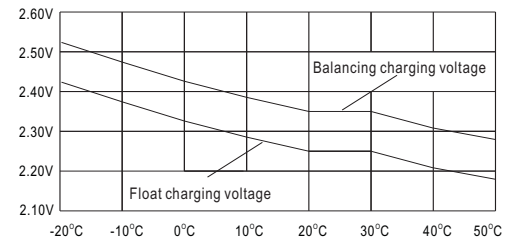
### Discharge capacity Vs ambient temperature curve (I10A)



### Characteristic curves at different discharge rate (20°C)



### Charge voltage Vs ambient temperature curve



	1hr cut-off voltage 1.67V	3hr cut-off voltage 1.75V	5hr cut-off voltage 1.77V	10hr cut-off voltage 1.80V	24hr cut-off voltage 1.85V	48hr cut-off voltage 1.85V	72hr cut-off voltage 1.85V	96hr cut-off voltage 1.85V	120hr cut-off voltage 1.85V	240hr cut-off voltage 1.85V
Capacity Ah	132.5	187.5	215	250	310	335	350	352	355	365