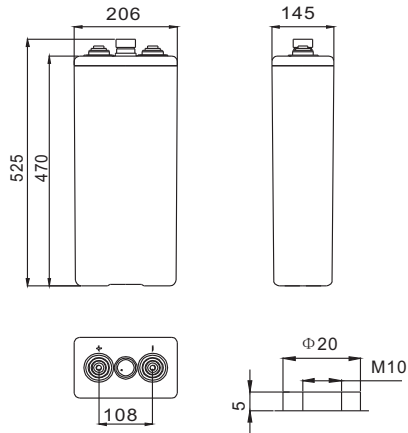


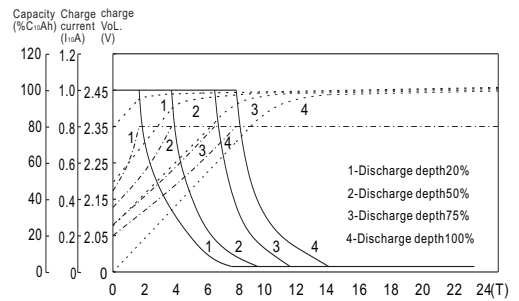
**Dimension**



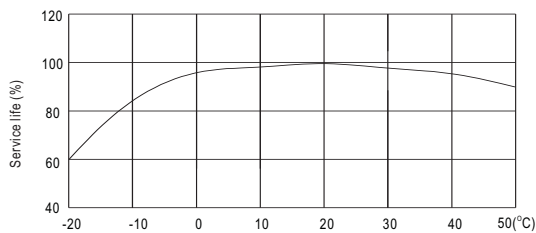
**Specification**

Nominal Voltage		2 V
Capacity(10HR, 25°C)		420Ah
Dimension	Length	145mm
	Width	206mm
	Height	470mm
	Total Height	525mm
Approx.mass(without electrolyte)		23.5kg
Approx.mass(with electrolyte)		31.6kg

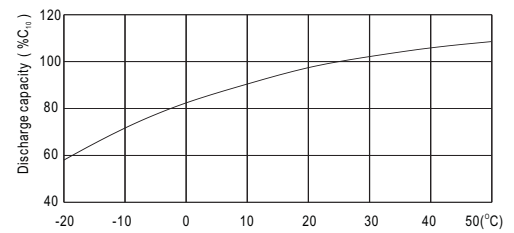
**Charge characteristic curve(20°C)**



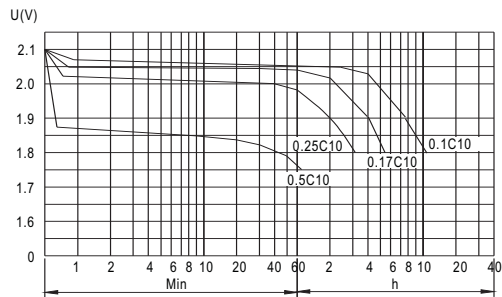
**Relation curves of service life and ambient temperature**



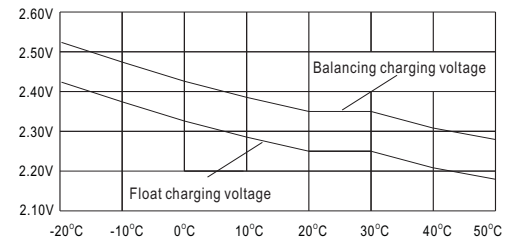
**Discharge capacity Vs ambient temperature curve (I10A)**



**Characteristic curves at different discharge rate (20°C)**



**Charge voltage Vs ambient temperature curve**



	1hr cut-off voltage 1.67V	3hr cut-off voltage 1.75V	5hr cut-off voltage 1.77V	10hr cut-off voltage 1.80V	24hr cut-off voltage 1.85V	48hr cut-off voltage 1.85V	72hr cut-off voltage 1.85V	96hr cut-off voltage 1.85V	120hr cut-off voltage 1.85V	240hr cut-off voltage 1.85V
Capacity Ah	222	315	360	420	525	562	600	605	610	620