

EN & ENL SERIES - EN80-4

Endurance VRLA Batteries

Suitable for all standby applications including Telecommunications, UPS, Emergency Lighting. Endurance range Batteries from Yuasa are the engineer's choice for even the most critical standby applications, available in 10 year (EN) and 15 year (ENL) models.

FEATURES

- Long Life in standby (10 and 15 year design life options).
- Unique mix and match parallel assembly allows extensive variations to network capacity.
- Electrolyte Suspension. A.G.M. technology assures no free electrolyte to spill or worry about.
- High gas recombination efficiency. Eliminates the need for forced ventilation and separate battery rooms.
- Case Material Oxygen index 30.
- Fully compliant with BS6290-4 and IEC896-2.

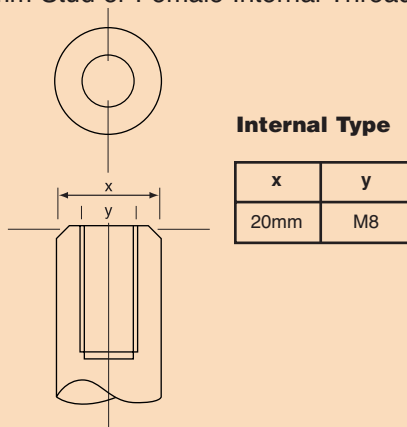


General Specifications

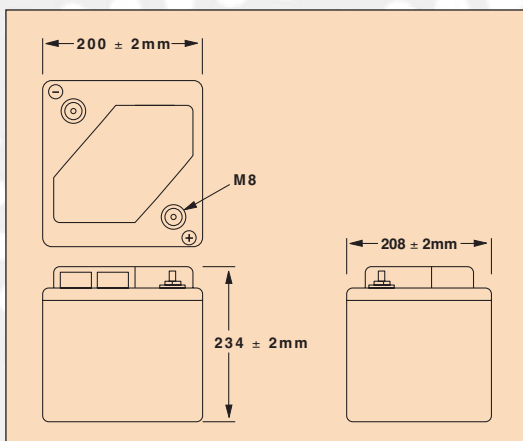
Nominal Capacity (Ah)	EN80-4
10hr to 1.85vpc	80
3hr to 1.80vpc	65
1 hr to 1.75vpc	53
Voltage	4
Energy Density (Wh/L)	33
Specific Energy (Wh. kg)	18
Int Resistance (m.ohms)	1.2
Maximum discharge (A)	480
Short Circuit current	800
Dimensions (mm)	
Length	200
Width	208
Height overall	238
Weight (kg)	17.5
Terminal	8mm Male Stud
Terminal Torque (Nm)	6.1

Terminal

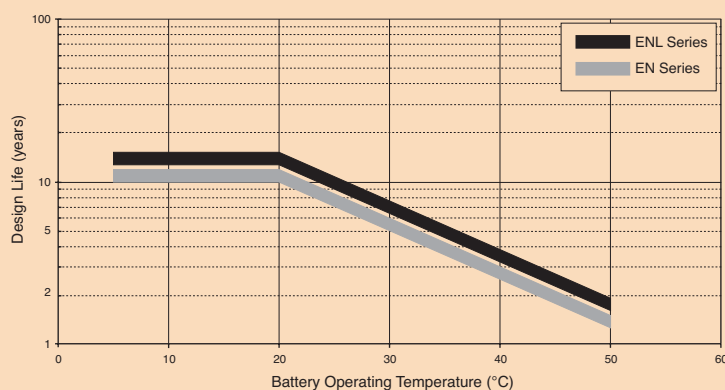
8mm Stud or Female Internal Thread



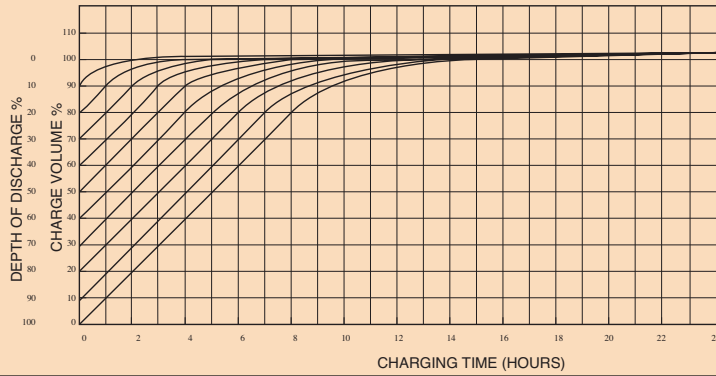
Layout



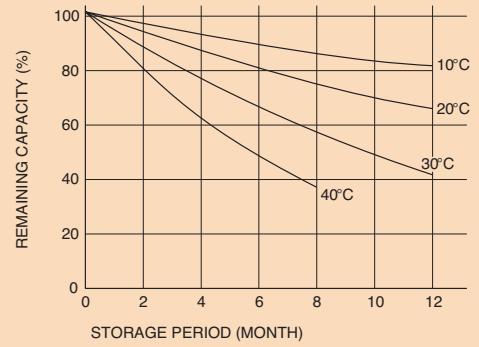
STANDBY FLOAT CHARGE DESIGN LIFE



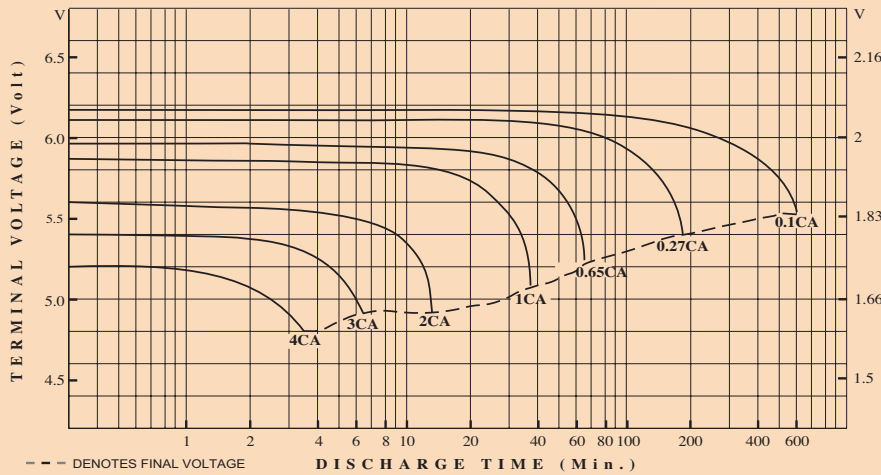
CHARGING CHARACTERISTICS



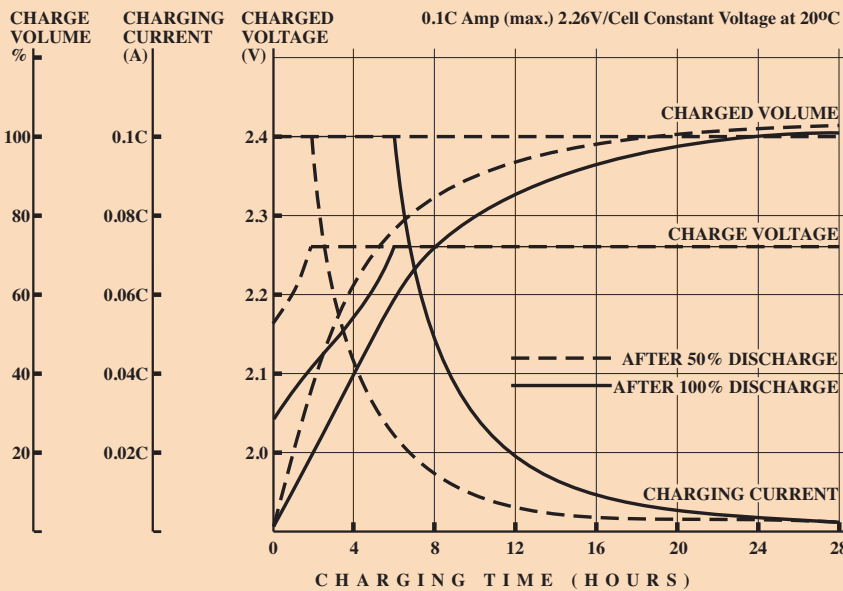
SELF DISCHARGE CHARACTERISTICS



DISCHARGE CHARACTERISTIC CURVES



CHARGING CHARACTERISTIC



Charging Methods (at 20°C)

Standby use: Float charging voltage
2.26v ± 0.005v

CAUTION

- Avoid short circuit.
- Do not charge in a sealed container.



Yuasa Battery Sales (UK) Ltd

Unit 22 Rassau Industrial Estate
Ebbw Vale, Gwent, NP23 5SD
Tel: 08708 500312 Fax: 08708 500317
E-mail: enquiries@yuasa-sales.co.uk

Registered number 1548820

Cat. No. EN80-4 February 07

E&O.E.

Distributed by