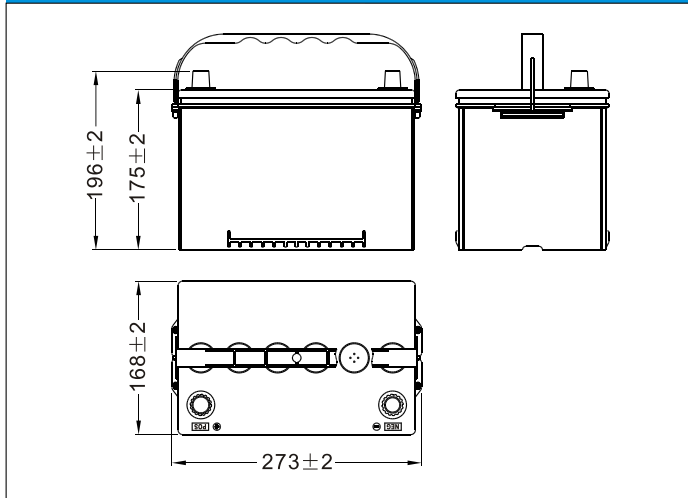




# AGM34-55 (12V55Ah)



## Dimensions (mm)



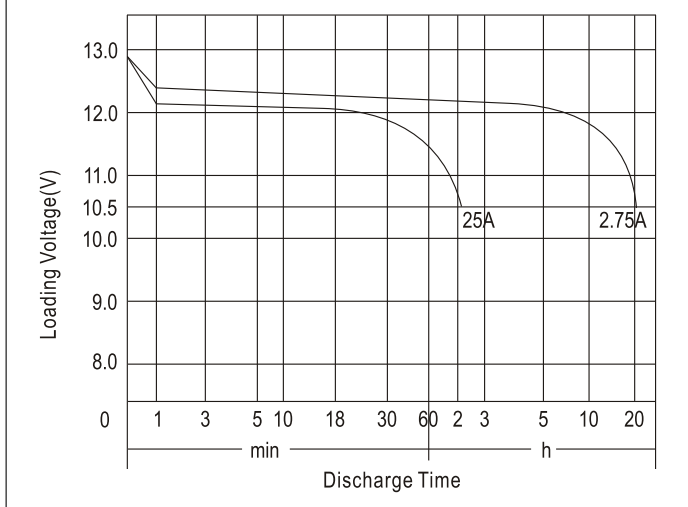
## Physical Specification (mm)

Nominal Voltage		12V
Nominal Capacity(20HR)		55Ah
Dimension	Length	273 ± 2mm(10.75inches)
	Width	168 ± 2mm(6.61inches)
	Container Height	175 ± 2mm(6.89inches)
	Total Height(with Terminal)	196 ± 2mm(7.72inches)
Weight		Approx 19.1Kg(42.1lbs)
Acid		1.310 ± 0.015g/cm <sup>3</sup> (25°C)
Standard Terminal		AP
Cell layout		A
Hold-Down		/
Cell plate qty		/
Case		Black-Material
Cover		Black-Material
Handle		Black-Material
QTY/PLT/layer		

## Electrical Specification

Rated Capacity	20 hour rate(2.75A)	55Ah
Reserve Capacity		120min
Cold Cranking Performance Amps@0°F(-18°C)		785A

## Discharge Characteristics(25°C,70°F)



## Standard Terminal (mm)      Cell Layout

Terminal Type	D	
	Positive	Negative
SAE	19.5 <sup>0</sup> <sub>-0.3</sub>	17.9 <sup>0</sup> <sub>-0.3</sub>

Figure(A)

## Discharge Characteristics(-18°C,0°F)

