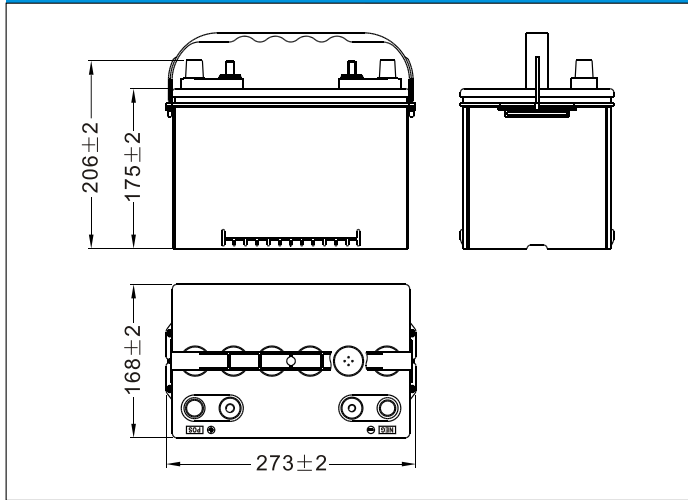




AGM34M-55 [12V55Ah]



Dimensions (mm)



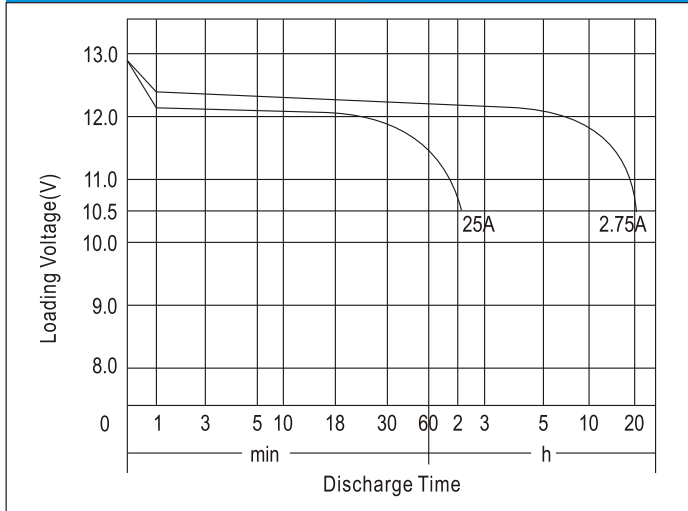
Physical Specification (mm)

Nominal Voltage		12V
Nominal Capacity(20HR)		55Ah
Dimension	Length	273 ± 2mm(10.75inches)
	Width	168 ± 2mm(6.61inches)
	Container Height	175 ± 2mm(6.89inches)
	Total Height(with Terminal)	206 ± 2mm(8.11inches)
Weight		Approx 19.3Kg(42.5lbs)
Acid		1.310 ± 0.015g/cm ³ (25°C)
Standard Terminal		AP&STUD
Cell layout		A
Hold-Down		/
Cell plate qty		/
Case		Black-Material
Cover		Black-Material
Handle		Black-Material
QTY/PLT/layer		

Electrical Specification

Rated Capacity	20 hour rate(2.75A)	55Ah
Reserve Capacity		120min
Cold Cranking Performance Amps@0°F(-18°C)		785A

Discharge Characteristics(25°C,70°F)



Standard Terminal (mm) Cell Layout

Terminal Type	D		M	
	Positive	Negative	Positive	Negative
SAE & WIGNUT	19.5 ⁰ _{-0.3}	17.9 ⁰ _{-0.3}	3/8"	5/16"

Figure(A)

Discharge Characteristics(-18°C,0°F)

