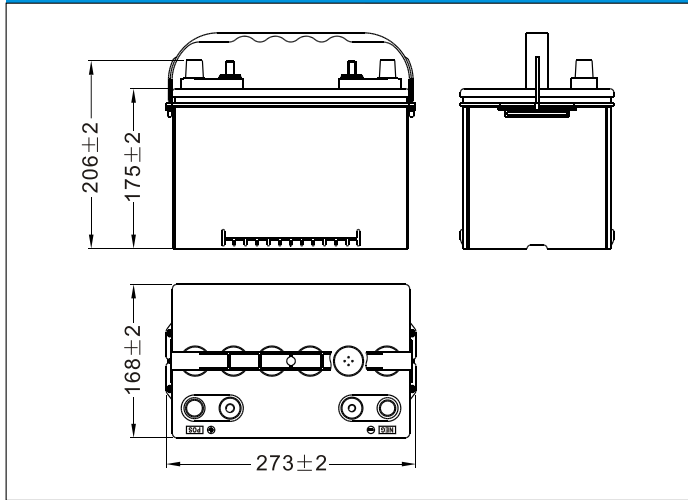




78DT-55 [12V55Ah]



Dimensions (mm)



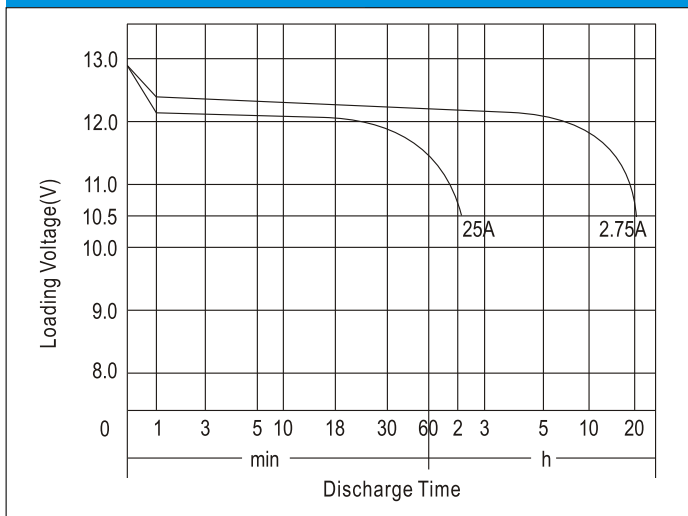
Physical Specification (mm)

| | | |
|------------------------|-----------------------------|---------------------------------------|
| Nominal Voltage | | 12V |
| Nominal Capacity(20HR) | | 55Ah |
| Dimension | Length | 273 ± 2mm(10.75inches) |
| | Width | 168 ± 2mm(6.61inches) |
| | Container Height | 175 ± 2mm(6.89inches) |
| | Total Height(with Terminal) | 200 ± 2mm(7.87inches) |
| Weight | | Approx 19.5Kg(43.0lbs) |
| Acid | | 1.310 ± 0.015g/cm ³ (25°C) |
| Standard Terminal | | DT |
| Cell layout | | A |
| Hold-Down | | / |
| Cell plate qty | | / |
| Case | | Black-Material |
| Cover | | Black-Material |
| Handle | | Black-Material |
| QTY/PLT/layer | | |

Electrical Specification

| | | |
|---|---------------------|--------|
| Rated Capacity | 20 hour rate(2.75A) | 55Ah |
| Reserve Capacity | | 120min |
| Cold Cranking Performance Amps@0°F(-18°C) | | 785A |

Discharge Characteristics(25°C,70°F)



Standard Terminal (mm) Cell Layout

| Terminal Type | D | |
|---------------|-----------------------------------|-----------------------------------|
| | Positive | Negative |
| DT | 19.5 ⁰ _{-0.3} | 17.9 ⁰ _{-0.3} |

Figure(A)

Discharge Characteristics(-18°C,0°F)

