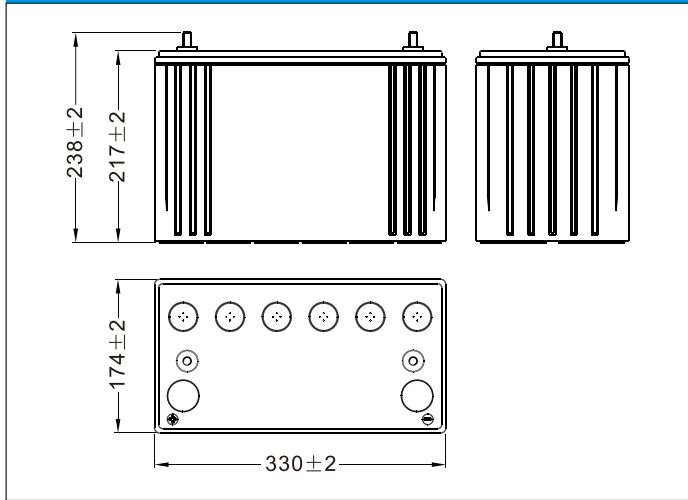




AGM 31-100 (12V100Ah)



Dimensions (mm)



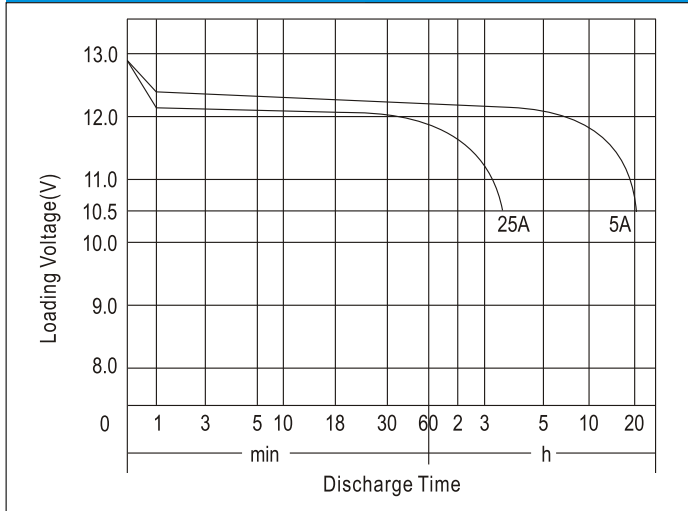
Physical Specification (mm)

Nominal Voltage		12V
Nominal Capacity(20HR)		100Ah
Dimension	Length	330 ± 2mm(13.00inches)
	Width	174 ± 2mm(6.85inches)
	Container Height	217 ± 2mm(8.54inches)
	Total Height(with Terminal)	238 ± 2mm(9.37inches)
Weight		Approx 31.0Kg(68.3lbs)
Acid		1.310 ± 0.015g/cm ³ (25°C)
Standard Terminal		STUD
Cell layout		A
Hold-Down		/
Cell plate qty		/
Case		Black-Material
Cover		Black-Material
Handle		Black-Material
QTY/PLT/layer		

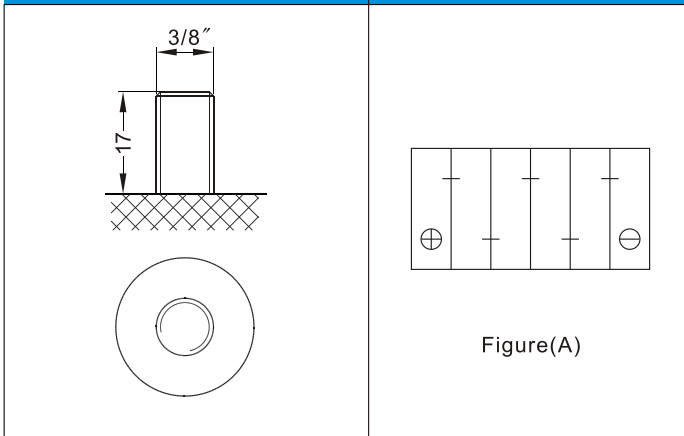
Electrical Specification

Rated Capacity	20 hour rate(5A)	100Ah
Reserve Capacity		190min
Cold Cranking Performance Amps@0°F(-18°C)		800A

Discharge Characteristics(25°C,70°F)



Standard Terminal (mm) Cell Layout



Discharge Characteristics(-18°C,0°F)

