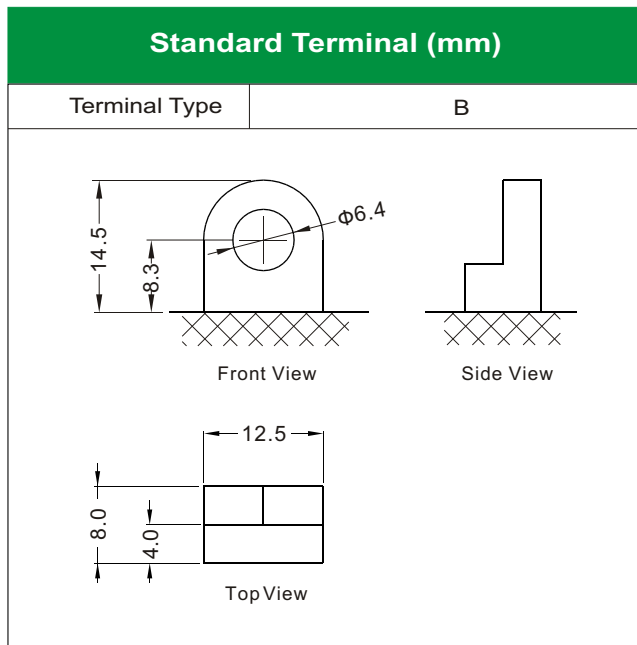
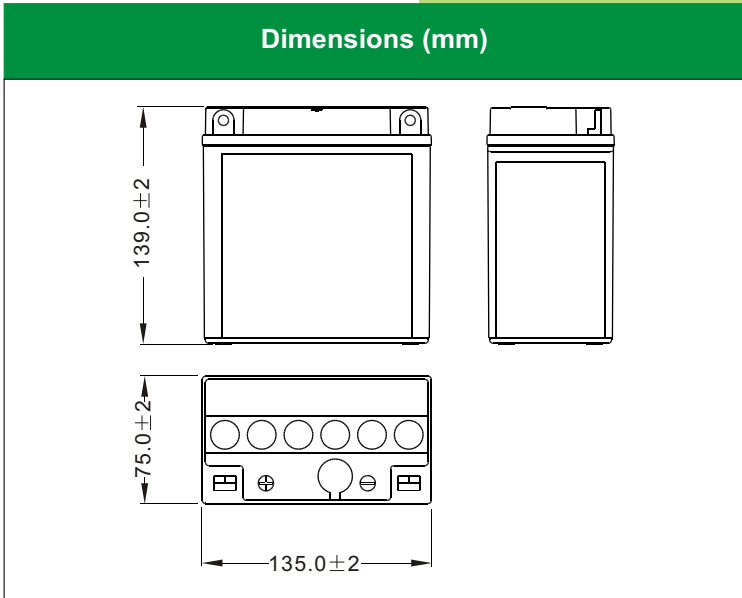


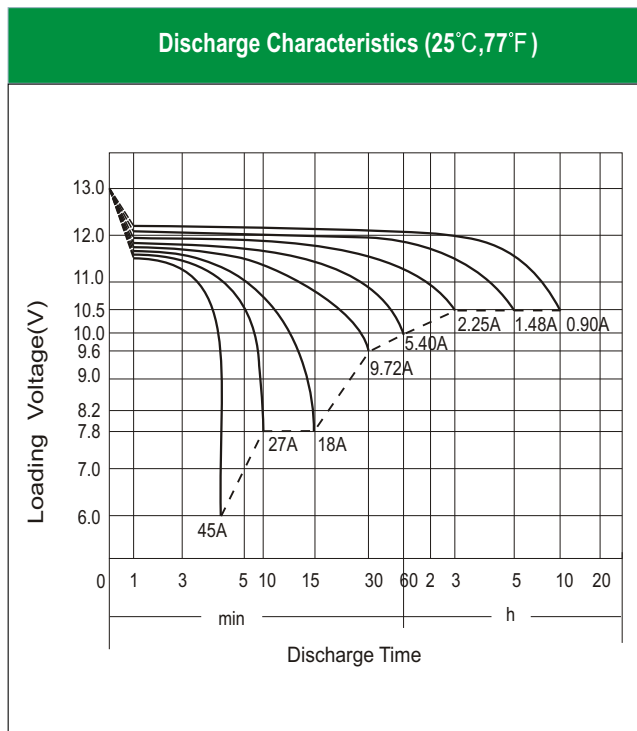


LT9A-BS [12V9Ah]



Physical Specification

Nominal Voltage		12V
Nominal Capacity (10HR)		9AH
Dimension	Length	135 ± 2mm (5.31 inches)
	Width	75 ± 2mm (2.95 inches)
	Container Height	139 ± 2mm (5.47 inches)
	Total Height (with Terminal)	139 ± 2mm (5.47 inches)
Weight	Battery(with acid): Approx 3.11kg (6.83lbs) Electrolyte: Approx 0.65kg (1.43lbs)	
<ul style="list-style-type: none"> * Sealed and non-spillable AGM battery * Maintenance-free * Powerful 120 cold cranking amps * Shipped pre-charged and ready to install * Replaces /upgrade for LT9A-4 		



Electrical Specification

Rated Capacity	10 hour rate (0.90 A)		9.0AH
	5 hour rate (1.48 A)		7.38AH
	2 hour rate (3.15 A)		6.30AH
	1 hour rate (5.40 A)		5.40AH
	0.5 hour rate (9.72 A)		4.86AH
Capacity affected by Temperature	40 °C (104 °F)	106%	
	25 °C (77 °F)	100%	
	0 °C (32 °F)	86%	
	-15 °C (5 °F)	65%	
Self Discharge	Approximately 3% per month (25°C (77°F))		
Charging Methods	Full Charge	Constant-Voltage Charge: Initial charging current: less than 2.7A Voltage: 14.40 V ~ 15.00 V at 25 °C (77 °F) Charging time: 15 ~18h Constant-Current Charge: Charging current: 0.1C ₁₀ =0.90A, when charging voltage up to 14.40V, continue to charge 4h	
	Floating Charge	No limit on Initial charging current Voltage: 13.50 V ~ 13.80 V at 25 °C (77 °F)	