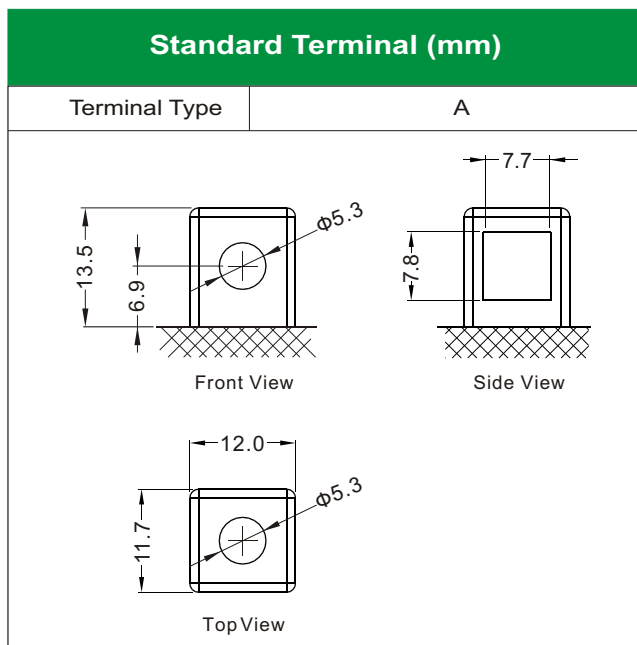
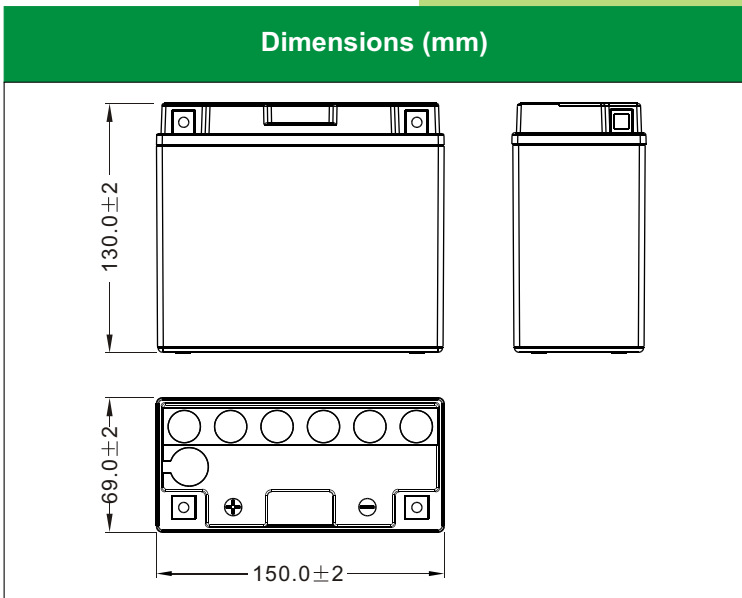




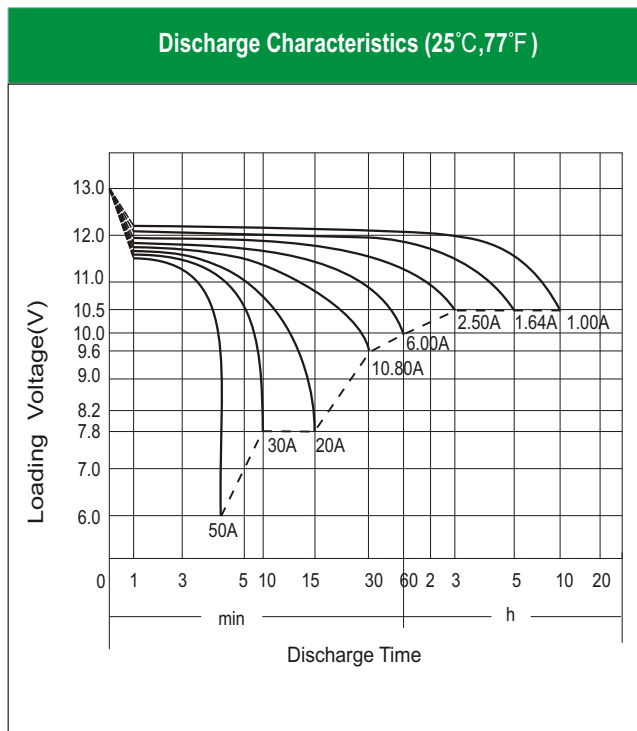
LT12B-BS [12V10Ah]



Physical Specification

Nominal Voltage	12V	
Nominal Capacity (10HR)	10AH	
Dimension	Length	150±2mm (5.91 inches)
	Width	69±2mm (2.72 inches)
	Container Height	130±2mm (5.12 inches)
	Total Height (with Terminal)	130±2mm (5.12 inches)
Weight	Battery(with acid):	Approx 3.56kg (7.84lbs)
	Electrolyte:	Approx 0.66kg (1.45lbs)

- * Sealed and non-spillable AGM battery
- * Maintenance-free
- * Powerful 175 cold cranking amps
- * Shipped pre-charged and ready to install
- * Replaces /upgrade for LT12B-4



Electrical Specification

Rated Capacity	10 hour rate (1.00 A)	10.0AH
	5 hour rate (1.64 A)	8.20AH
	2 hour rate (3.50 A)	7.00AH
	1 hour rate (6.00 A)	6.00AH
	0.5 hour rate (10.80 A)	5.40AH
Capacity affected by Temperature	40 C (104 F)	106%
	25 C (77 F)	100%
	0 C (32 F)	86%
	-15 C (5 F)	65%
Self Discharge	Approximately 3% per month (25C (77F))	
Charging Methods	Full Charge	Constant-Voltage Charge: Initial charging current: less than 3.0A Voltage: 14.40 V ~ 15.00 V at 25 °C (77 °F) Charging time: 15 ~18h Constant-Current Charge: Charging current: 0.1C ₁₀ =1.00A, when charging voltage up to 14.40V, continue to charge 4h
	Floating Charge	No limit on Initial charging current Voltage: 13.50 V ~ 13.80 V at 25 °C (77 °F)