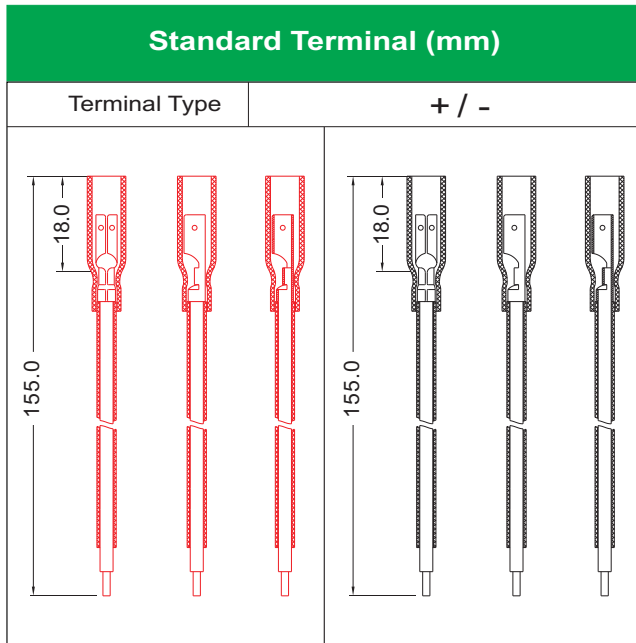
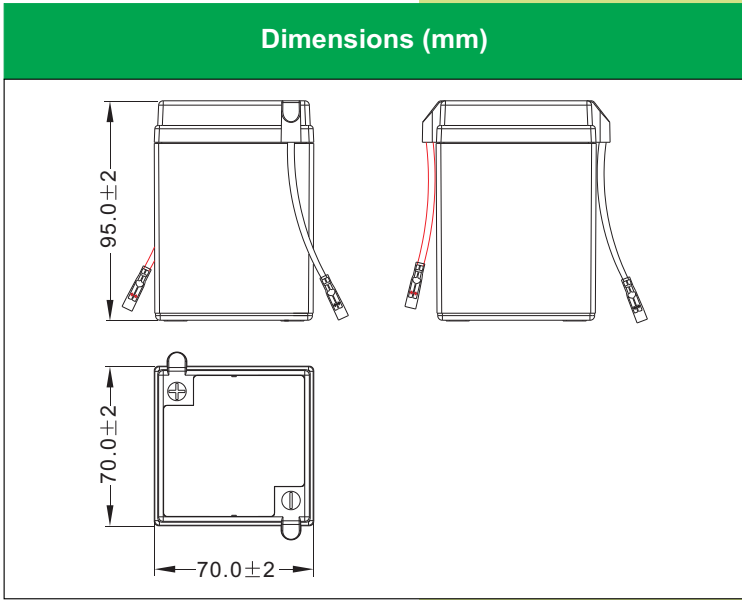




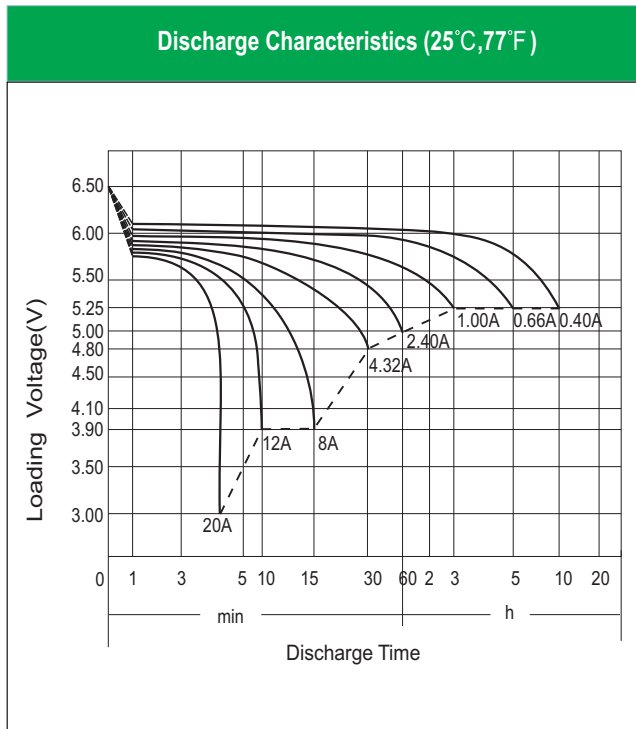
# 6LT4-2 [6V4Ah]



### Physical Specification

Nominal Voltage	6V	
Nominal Capacity (10HR)	4AH	
Dimension	Length	70 ± 2mm (2.76 inches)
	Width	70 ± 2mm (2.76 inches)
	Container Height	95 ± 2mm (3.74 inches)
	Total Height (with Terminal)	95 ± 2mm (3.74 inches)
Weight	Battery(with acid): Approx 0.86kg (1.89lbs)	
	Electrolyte: Approx 0.19kg (0.42lbs)	

- \* Sealed and non-spillable AGM battery
- \* Maintenance-free
- \* Shipped pre-charged and ready to install
- \* Replaces 6LT4-BS battery



### Electrical Specification

Rated Capacity	10 hour rate (0.40 A)	4.0AH
	5 hour rate (0.66 A)	3.28AH
	2 hour rate (1.40 A)	2.80AH
	1 hour rate (2.40 A)	2.40AH
	0.5 hour rate (4.32 A)	2.16AH
Capacity affected by Temperature	40 C (104 F)	106%
	25 C (77 F)	100%
	0 C (32 F)	86%
	-15 C (5 F)	65%
Self Discharge	Approximately 3% per month (25C (77F))	
Charging Methods	Full Charge	Constant-Voltage Charge: Initial charging current: less than 1.2A Voltage: 7.20 V ~ 7.50 V at 25 °C (77 °F) Charging time: 15 ~18h Constant-Current Charge: Charging current: 0.1C <sub>10</sub> =0.40A, when charging voltage up to 7.20V, continue to charge 4h
	Floating Charge	No limit on Initial charging current Voltage: 6.75 V ~ 6.90 V at 25 °C (77 °F)