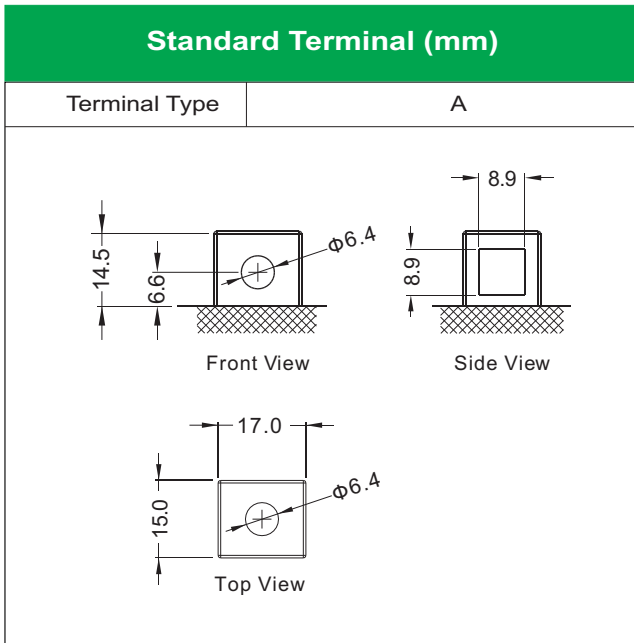
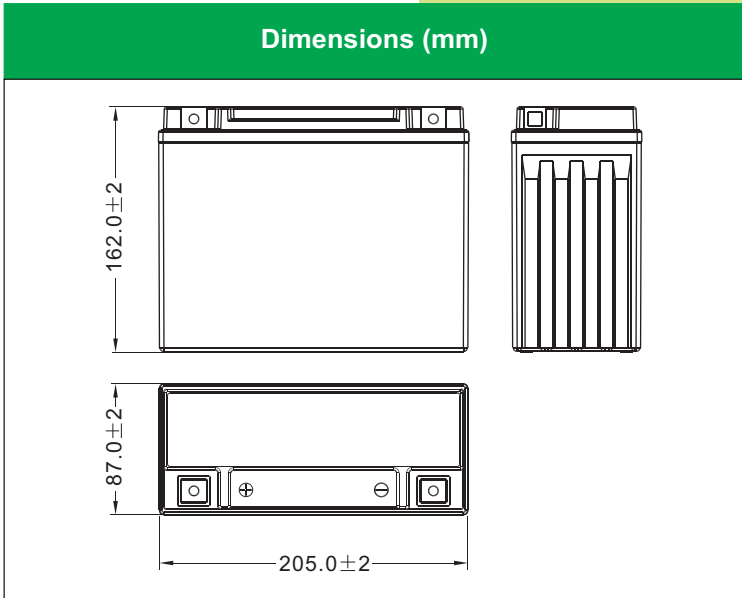




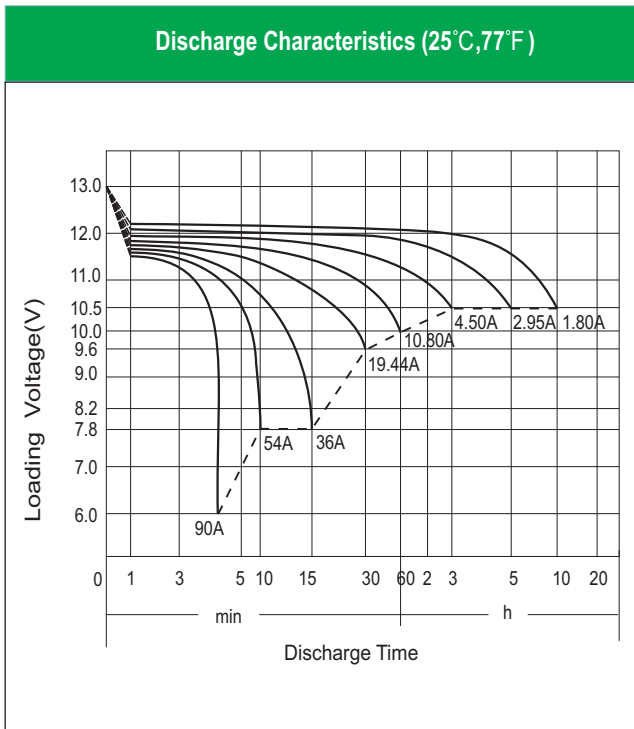
# LT18-4 [12V18Ah]



### Physical Specification

Nominal Voltage	12V	
Nominal Capacity (10HR)	18AH	
Dimension	Length	$205 \pm 2$ mm (8.07 inches)
	Width	$87 \pm 2$ mm (3.43 inches)
	Container Height	$162 \pm 2$ mm (6.38 inches)
	Total Height (with Terminal)	$162 \pm 2$ mm (6.38 inches)
Weight	Battery(with acid): Approx 6.69kg (14.74lbs)	
	Electrolyte: Approx 1.53kg (3.37lbs)	

- \* Sealed and non-spillable AGM battery
- \* Maintenance-free
- \* Powerful 250 cold cranking amps
- \* Shipped pre-charged and ready to install
- \* Replaces LTX18-BS battery



### Electrical Specification

Rated Capacity	10 hour rate (1.80 A)	18.00AH
	5 hour rate (2.95 A)	14.76AH
	2 hour rate (6.30 A)	12.60AH
	1 hour rate (10.80 A)	10.80AH
	0.5 hour rate (19.44 A)	9.72AH
Capacity affected by Temperature	40°C (104°F)	106%
	25°C (77°F)	100%
	0°C (32°F)	86%
	-15°C (5°F)	65%
Self Discharge	Approximately 3% per month (25°C (77°F))	
Charging Methods	Full Charge	Constant-Voltage Charge: Initial charging current: less than 5.4A Voltage: 14.40 V ~ 15.00 V at 25°C (77°F) Charging time: 15 ~ 18h Constant-Current Charge: Charging current: $0.1C_{10} = 1.80A$ , when charging voltage up to 14.40V, continue to charge 4h
	Floating Charge	No limit on Initial charging current Voltage: 13.50 V ~ 13.80 V at 25°C (77°F)