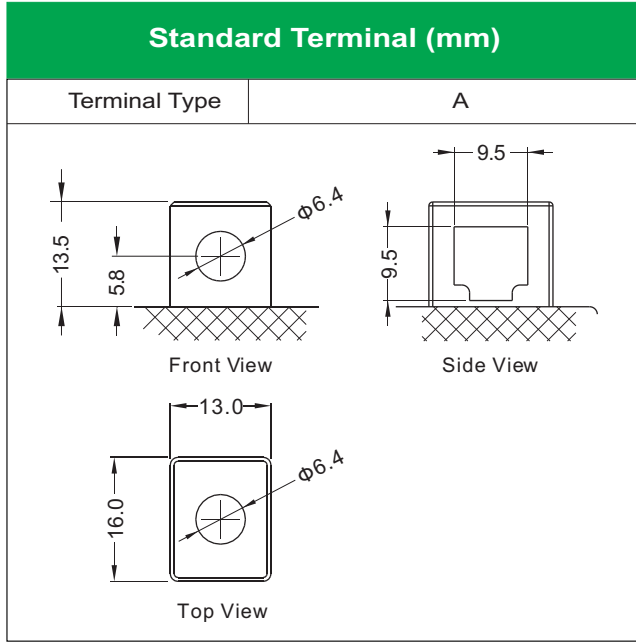
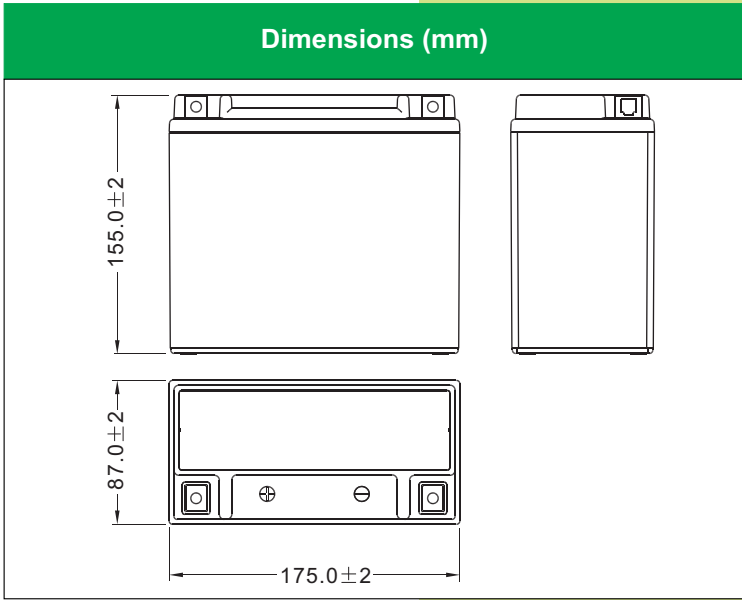




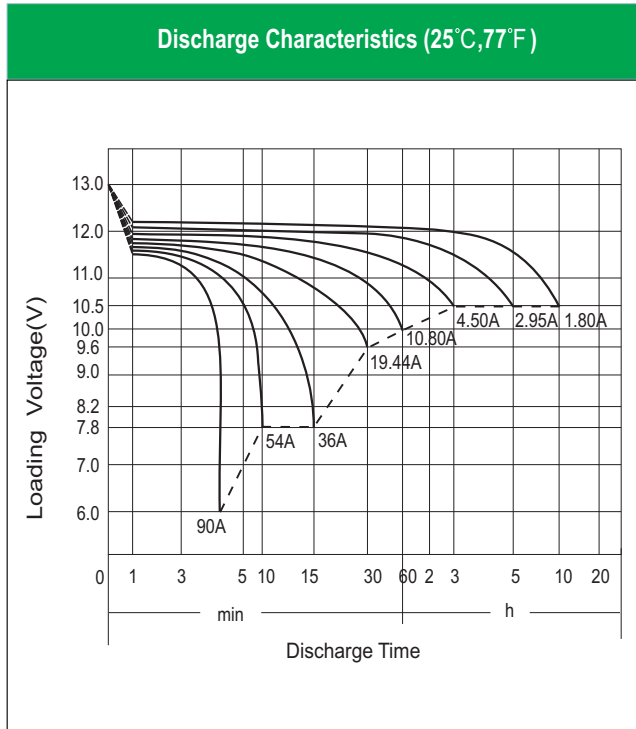
# LT20H-4 [12V18Ah]



### Physical Specification

|                         |  |                         |
|-------------------------|--|-------------------------|
| Nominal Voltage         | 12V  |                         |
| Nominal Capacity (10HR) | 18AH   |                         |
| Dimension               | Length                                       | 175 ± 2mm (6.89 inches) |
|                         | Width  | 87 ± 2mm (3.43 inches)  |
|                         | Container Height                             | 155 ± 2mm (6.10 inches) |
|                         | Total Height (with Terminal)                 | 155 ± 2mm (6.10 inches) |
| Weight                  | Battery(with acid): Approx 6.13kg (13.50lbs) |                         |
|                         | Electrolyte: Approx 1.23kg (2.71lbs)         |                         |

- \* Sealed and non-spillable AGM battery
- \* Maintenance-free
- \* Powerful 310 cold cranking amps
- \* Shipped pre-charged and ready to install
- \* Replaces LTX20H-BS battery



### Electrical Specification

|                                  |  |   |
|----------------------------------|--|---|
| Rated Capacity                   | 10 hour rate (1.80 A)                    | 18.00AH   |
|                                  | 5 hour rate (2.95 A)                     | 14.76AH   |
|                                  | 2 hour rate (6.30 A)                     | 12.60AH   |
|                                  | 1 hour rate (10.80 A)                    | 10.80AH   |
|                                  | 0.5 hour rate (19.44 A)                  | 9.72AH  |
| Capacity affected by Temperature | 40 °C (104 °F)                           | 106%  |
|                                  | 25 °C (77 °F)                            | 100%  |
|                                  | 0 °C (32 °F)                             | 86%   |
|                                  | -15 °C (5 °F)                            | 65%   |
| Self Discharge                   | Approximately 3% per month (25°C (77°F)) |   |
| Charging Methods                 | Full Charge                              | Constant-Voltage Charge:<br>Initial charging current: less than 5.4A<br>Voltage: 14.40 V ~ 15.00 V at 25 °C (77 °F)<br>Charging time: 15 ~18h<br>Constant-Current Charge:<br>Charging current: 0.1C <sub>10</sub> =1.80A, when charging voltage up to 14.40V, continue to charge 4h |
|                                  | Floating Charge                          | No limit on Initial charging current<br>Voltage: 13.50 V ~ 13.80 V at 25 °C (77 °F)   |