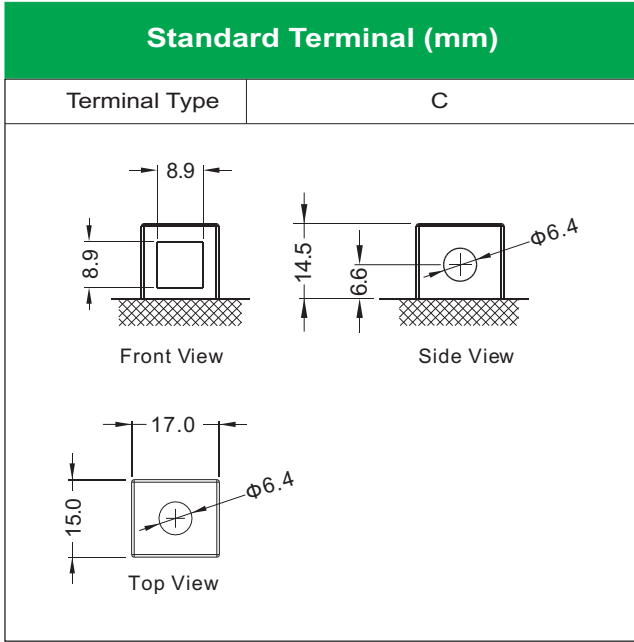
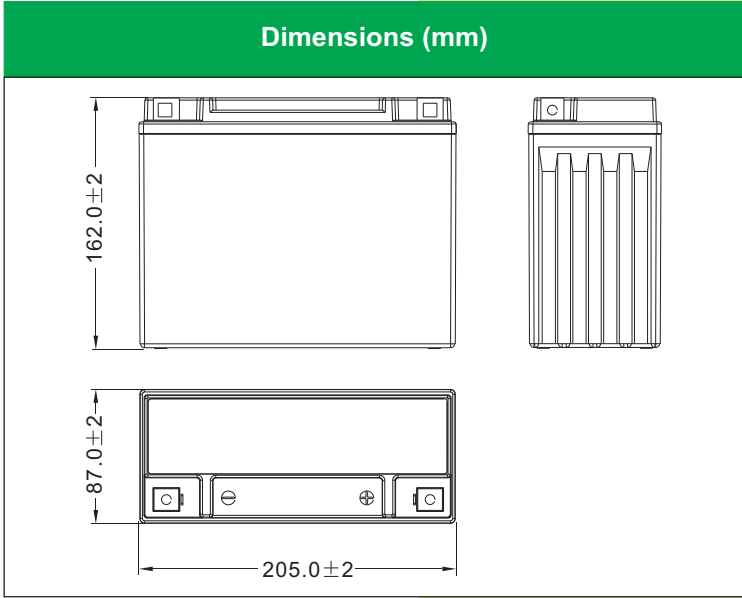


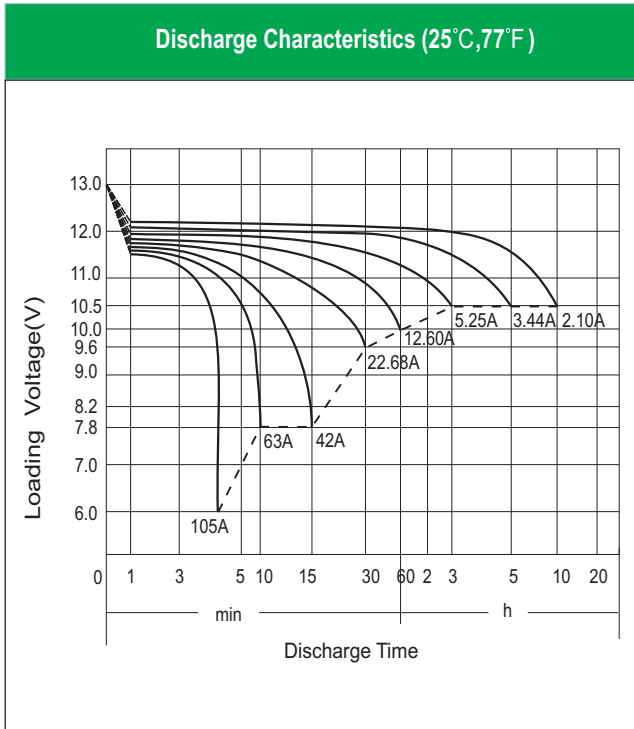


LT24-3-1 (12V21Ah)



Physical Specification

Nominal Voltage		12V
Nominal Capacity (10HR)		21AH
Dimension	Length	205 ± 2mm (8.07 inches)
	Width	87 ± 2mm (3.43 inches)
	Container Height	162 ± 2mm (6.38 inches)
	Total Height (with Terminal)	162 ± 2mm (6.38 inches)
Weight	Battery(with acid): Approx 7.26kg (15.99lbs) Electrolyte: Approx 1.43kg (3.15lbs)	
<ul style="list-style-type: none"> * Sealed and non-spillable AGM battery * Maintenance-free * Powerful 350 cold cranking amps * Shipped pre-charged and ready to install * Replaces none battery 		



Electrical Specification

Rated Capacity	10 hour rate (2.10 A)		21.00AH
	5 hour rate (3.44 A)		17.22AH
	2 hour rate (7.35 A)		14.70AH
	1 hour rate (12.60 A)		12.60AH
	0.5 hour rate (22.68 A)		11.34AH
Capacity affected by Temperature	40 °C (104 F)	106%	
	25 °C (77 F)	100%	
	0 °C (32 F)	86%	
	-15 °C (5 F)	65%	
Self Discharge	Approximately 3% per month (25°C (77°F))		
Charging Methods	Full Charge	Constant-Voltage Charge: Initial charging current: less than 6.3A Voltage: 14.40 V ~ 15.00 V at 25 °C (77 °F) Charging time: 15 ~18h Constant-Current Charge: Charging current: 0.1C ₁₀ =2.10A, when charging voltage up to 14.40V, continue to charge 4h	
	Floating Charge	No limit on Initial charging current Voltage: 13.50 V ~ 13.80 V at 25 °C (77 °F)	