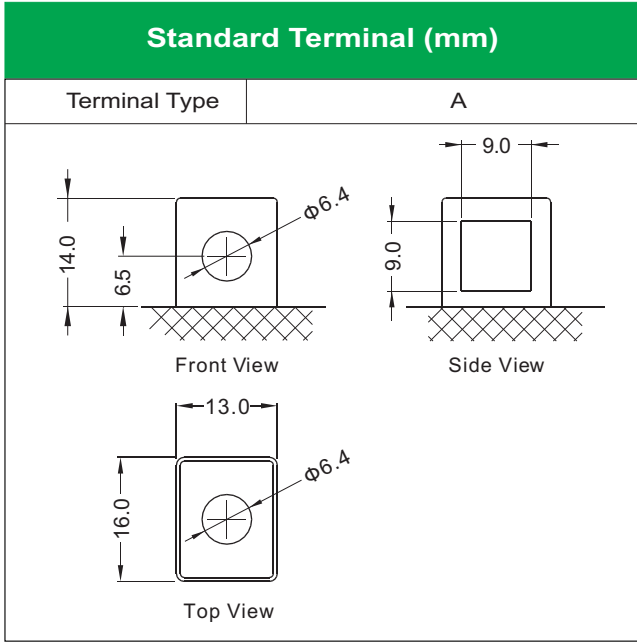
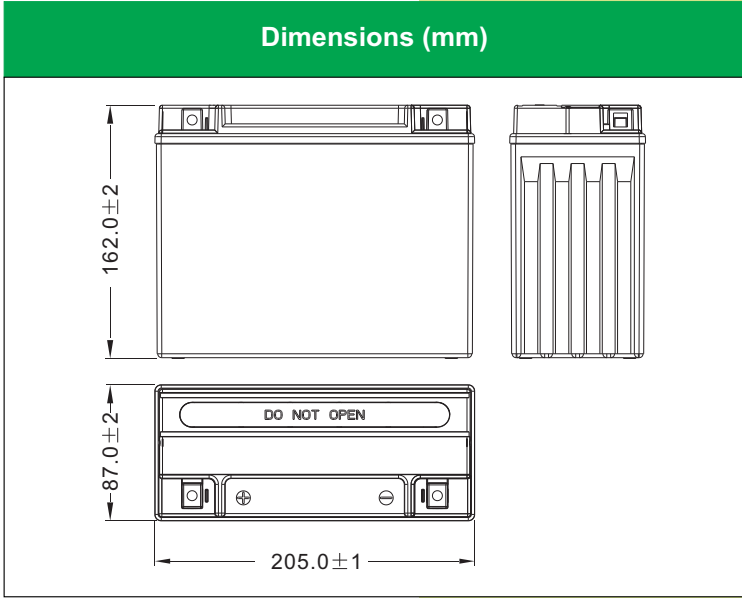




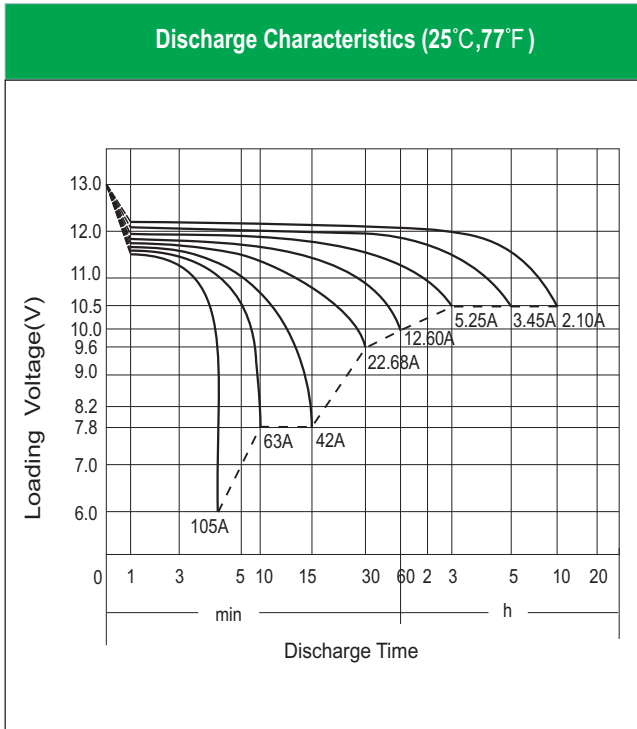
EBX24H-BS [12V21Ah]



Physical Specification

Nominal Voltage	12V	
Nominal Capacity (10HR)	21AH	
Dimension	Length	$205 \pm 2\text{mm}$ (8.07 inches)
	Width	$87 \pm 2\text{mm}$ (3.43 inches)
	Container Height	$162 \pm 2\text{mm}$ (6.38 inches)
	Total Height (with Terminal)	$162 \pm 2\text{mm}$ (6.38 inches)
Weight	Battery(with acid): Approx 7.25kg (15.97lbs)	
	Electrolyte: Approx 1.43kg (3.15lbs)	

- * Sealed and non-spillable AGM battery
- * Maintenance-free
- * Powerful 350 cold cranking amps
- * Shipped pre-charged and ready to install
- * Replaces /upgrade for EB24-4



Electrical Specification

Rated Capacity	10 hour rate (2.10 A)	21.00AH
	5 hour rate (3.44 A)	17.22AH
	2 hour rate (7.35 A)	14.70AH
	1 hour rate (12.60 A)	12.60AH
	0.5 hour rate (22.68 A)	11.34AH
Capacity affected by Temperature	40°C (104°F)	106%
	25°C (77°F)	100%
	0°C (32°F)	86%
	-15°C (5°F)	65%
Self Discharge	Approximately 3% per month (25°C (77°F))	
Charging Methods	Full Charge	Constant-Voltage Charge: Initial charging current: less than 6.3A Voltage: 14.40 V ~ 15.00 V at 25°C (77°F) Charging time: 15 ~ 18h Constant-Current Charge: Charging current: $0.1C_{10} = 2.10\text{A}$, when charging voltage up to 14.40V, continue to charge 4h
	Floating Charge	No limit on Initial charging current Voltage: 13.50 V ~ 13.80 V at 25°C (77°F)