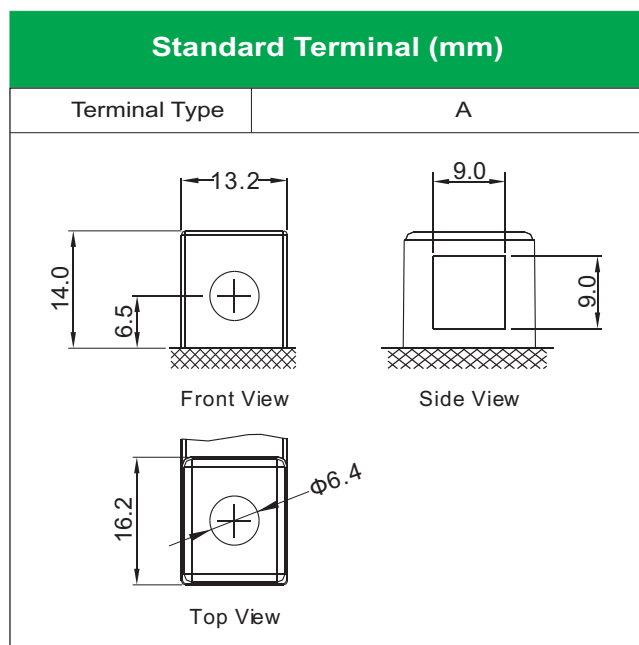
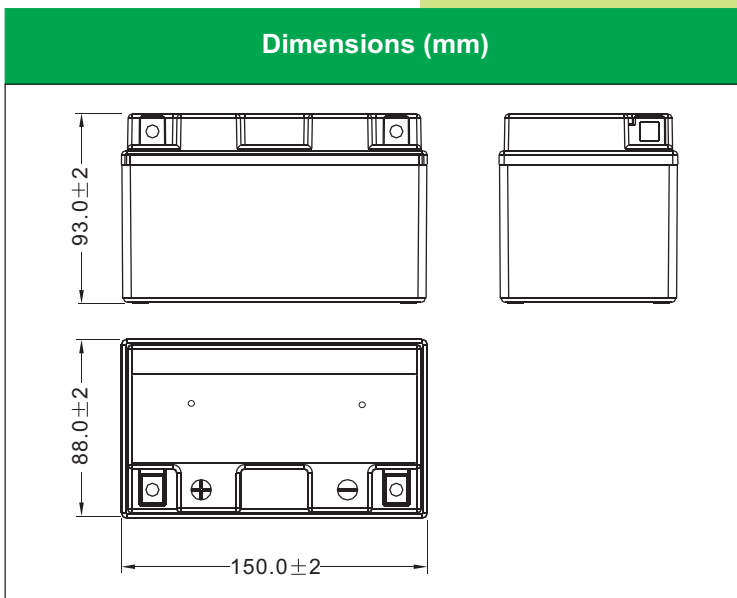




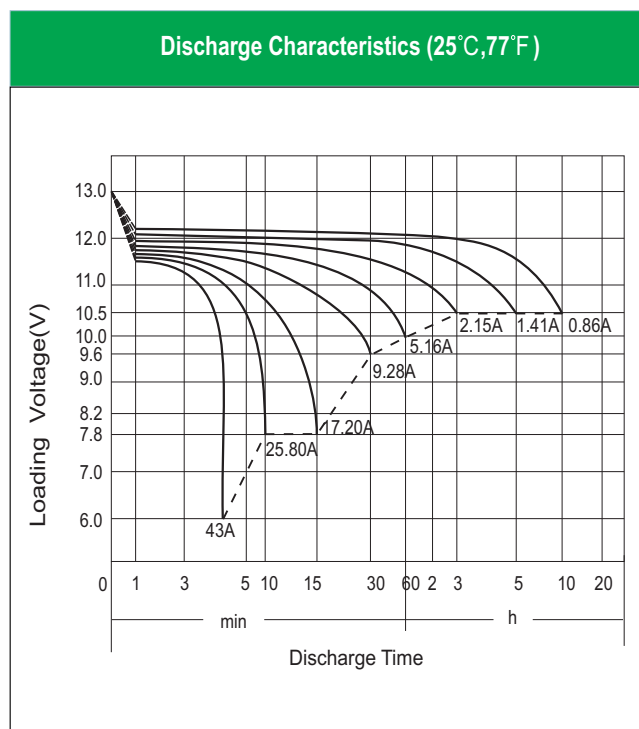
# EBZ10-4 (12V8.6Ah)



### Physical Specification

|                         |  |                         |
|-------------------------|--|-------------------------|
| Nominal Voltage         | 12V  |                         |
| Nominal Capacity (10HR) | 8.6AH                                      |                         |
| Dimension               | Length                                     | 150 ± 2mm (5.91 inches) |
|                         | Width                                      | 88 ± 2mm (3.46 inches)  |
|                         | Container Height                           | 93 ± 2mm (3.66 inches)  |
|                         | Total Height (with Terminal)               | 93 ± 2mm (3.66 inches)  |
| Weight                  | Battery(with acid): Approx 3.4kg (7.49lbs) |                         |
|                         | Electrolyte: Approx 0.58kg (1.28lbs)       |                         |

- \* Sealed and non-spillable AGM battery
- \* Maintenance-free
- \* Powerful 190 cold cranking amps
- \* Shipped pre-charged and ready to install
- \* Replaces none battery



### Electrical Specification

|                                  |   |  |
|----------------------------------|---|--|
| Rated Capacity                   | 10 hour rate (0.86 A)                   | 8.6AH  |
|                                  | 5 hour rate ( 1.41 A)                   | 7.05AH   |
|                                  | 2 hour rate (3.01 A)                    | 6.02AH   |
|                                  | 1 hour rate (5.16 A)                    | 5.16AH   |
|                                  | 0.5 hour rate (9.28 A)                  | 4.64AH   |
| Capacity affected by Temperature | 40 C (104 F)                            | 106%   |
|                                  | 25 C (77 F)                             | 100%   |
|                                  | 0 C (32 F)                              | 86%  |
|                                  | -15 C (5 F)                             | 65%  |
| Self Discharge                   | Approximately 3% per month (25C (77F )) |  |
| Charging Methods                 | Full Charge                             | Constant-Voltage Charge:<br>Initial charging current: less than 2.58A<br>Voltage: 14.40 V ~ 15.00 V at 25 °C (77 °F)<br>Charging time: 15 ~18h<br>Constant-Current Charge:<br>Charging current: 0.1C <sub>10</sub> =0.86A, when charging voltage up to 14.40V, continue to charge 4h |
|                                  | Floating Charge                         | No limit on Initial charging current<br>Voltage: 13.50 V ~ 13.80 V at 25 °C (77 °F)  |