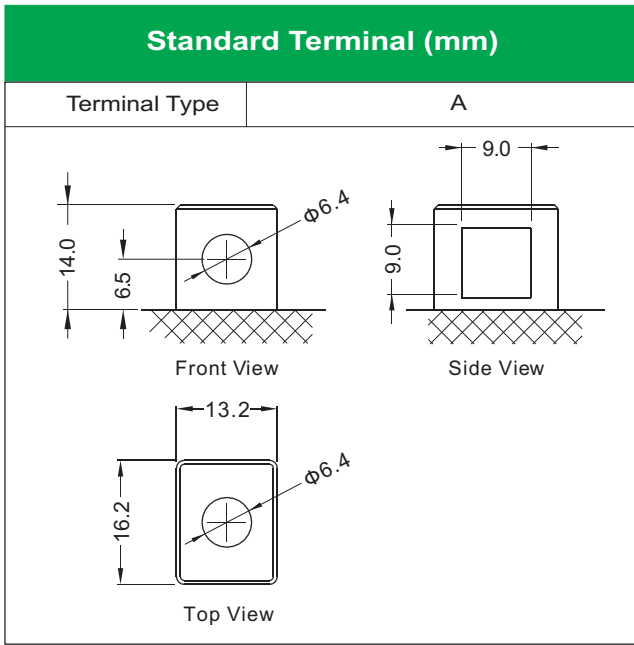
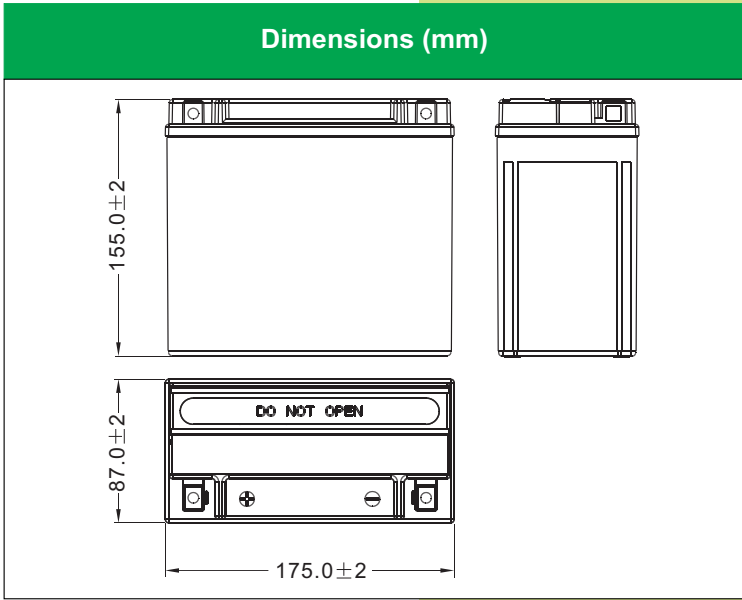




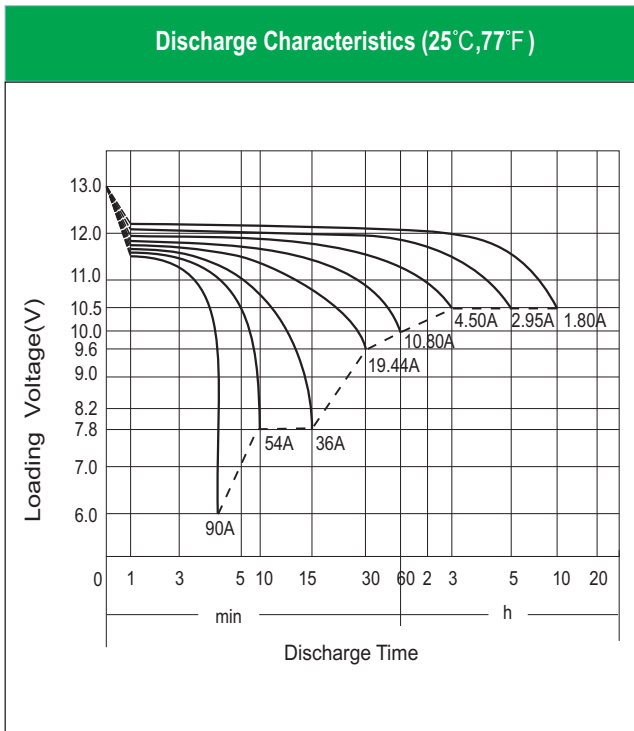
EB20-4 (12V18Ah)



Physical Specification

| | | |
|-------------------------|--|-------------------------|
| Nominal Voltage | 12V | |
| Nominal Capacity (10HR) | 18AH | |
| Dimension | Length | 175 ± 2mm (6.89 inches) |
| | Width | 87 ± 2mm (3.43 inches) |
| | Container Height | 155 ± 2mm (6.10 inches) |
| | Total Height (with Terminal) | 155 ± 2mm (6.10 inches) |
| Weight | Battery(with acid): Approx 6.15kg (13.55lbs) | |
| | Electrolyte: Approx 1.26kg (2.78lbs) | |

- * Sealed and non-spillable AGM battery
- * Maintenance-free
- * Powerful 270 cold cranking amps
- * Shipped pre-charged and ready to install
- * Replaces EBX20-BS battery



Electrical Specification

| | | |
|----------------------------------|--|---|
| Rated Capacity | 10 hour rate (1.80 A) | 18.00AH |
| | 5 hour rate (2.95 A) | 14.76AH |
| | 2 hour rate (6.30 A) | 12.60AH |
| | 1 hour rate (10.80 A) | 10.80AH |
| | 0.5 hour rate (19.44 A) | 9.72AH |
| Capacity affected by Temperature | 40 °C (104 F) | 106% |
| | 25 °C (77 F) | 100% |
| | 0 °C (32 F) | 86% |
| | -15 °C (5 F) | 65% |
| Self Discharge | Approximately 3% per month (25°C (77°F)) | |
| Charging Methods | Full Charge | Constant-Voltage Charge: Initial charging current: less than 5.4A Voltage: 14.40 V ~ 15.00 V at 25 °C (77 °F) Charging time: 15 ~18h Constant-Current Charge: Charging current: 0.1C ₁₀ =1.80A, when charging voltage up to 14.40V, continue to charge 4h |
| | Floating Charge | No limit on Initial charging current Voltage: 13.50 V ~ 13.80 V at 25 °C (77 °F) |