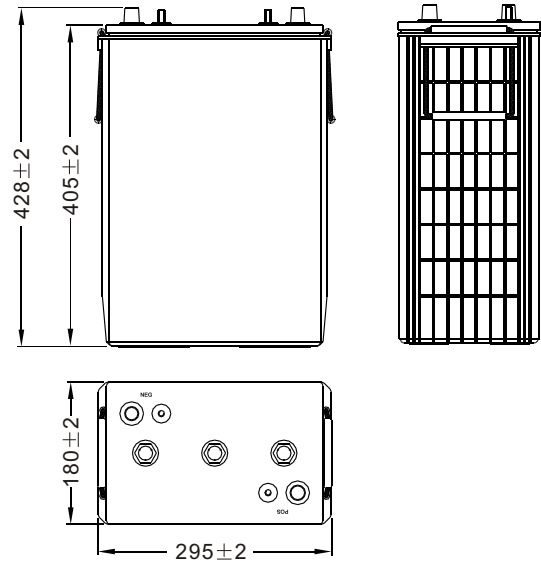




EV6390 16V390Ah GOLF CART BATTERY



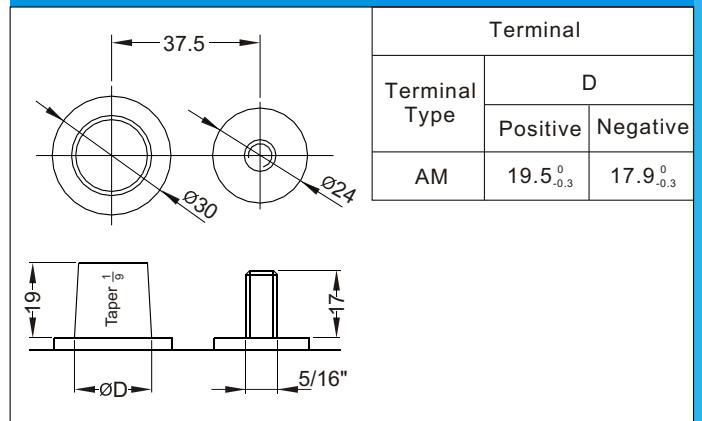
Dimensions (mm)



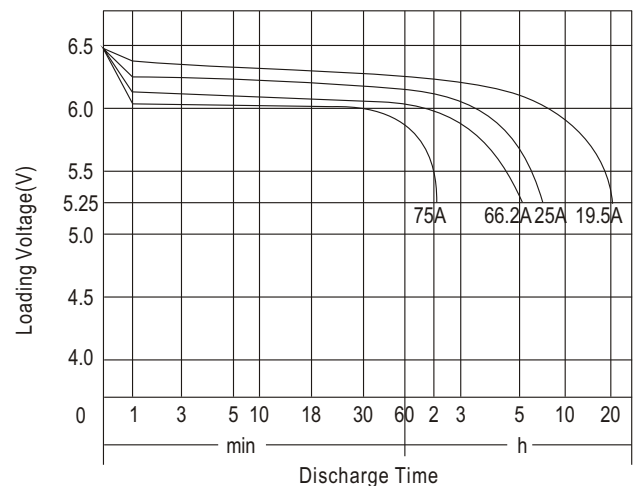
Physical Specification (mm)

Nominal Voltage	6V	
Nominal Capacity(20HR)	390Ah	
Nominal Capacity(5HR)	331Ah	
Dimension	Length	295 ± 2mm(11.61inches)
	Width	180 ± 2mm(7.09inches)
	Container Height	405 ± 2mm(15.94inches)
	Total Height(with Terminal)	428 ± 2mm(16.85inches)
Dry Weight	/	
Wet Weight	Approx 55.7Kg(122.7lbs)	
Acid	1.310 ± 0.015g/cm ³ (25°C)	
Standard Terminal	AM	
Hold-Down	/	
Cell plate qty	/	
Case	Black-Material	
Cover	Black-Material	
Handle	Black-Material	

Standard Terminal (mm)



Discharge Characteristics(25°C,70°F)



Electrical Specification

Rated Capacity	20 hour rate(19.5A)	390Ah
	5 hour rate(66.2A)	331Ah
Reserve Capacity	25Amps	915min
Reserve Capacity	75Amps	255min