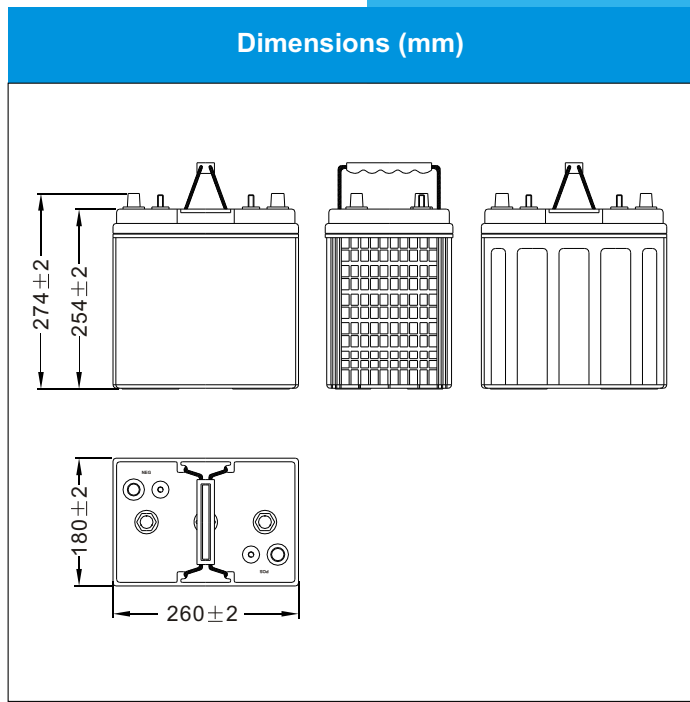




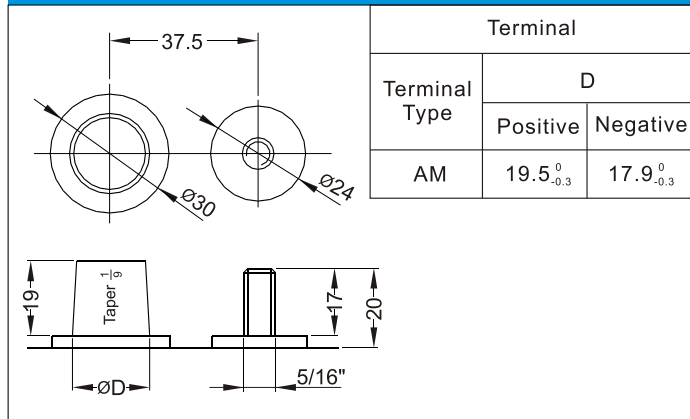
# GF6210 16V210Ah GOLF CART BATTERY



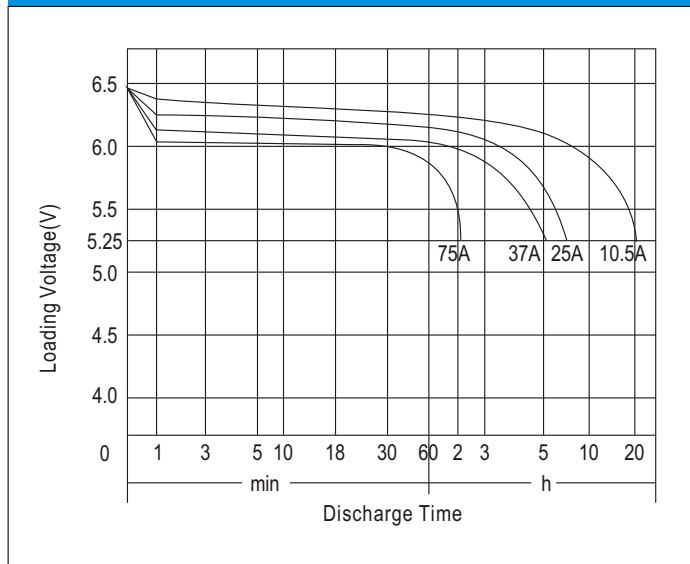
### Physical Specification (mm)

Nominal Voltage	6V	
Nominal Capacity(20HR)	210Ah	
Nominal Capacity(5HR)	185Ah	
Dimension	Length	260 ± 2mm(10.24inches)
	Width	180 ± 2mm(7.09inches)
	Container Height	254 ± 2mm(10.00inches)
	Total Height(with Terminal)	274 ± 2mm(10.79inches)
Dry Weight	/	
Wet Weight	Approx 30.0Kg(66.1lbs)	
Acid	1.310 ± 0.015g/cm <sup>3</sup> (25°C)	
Standard Terminal	AM	
Hold-Down	/	
Cell plate qty	/	
Case	Black-Material	
Cover	Black-Material	
Handle	Black-Material	

### Standard Terminal (mm)



### Discharge Characteristics(25°C,70°F)



### Electrical Specification

Rated Capacity	20 hour rate(10.50A)	210Ah
	5 hour rate(37A)	185Ah
Reserve Capacity	25Amps	475min
Reserve Capacity	75Amps	124min