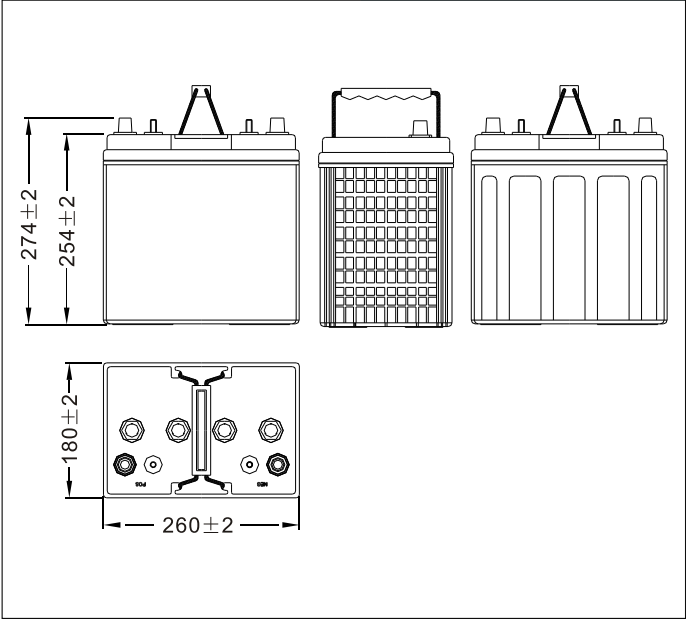




GF8170 18V170Ah GOLF CART BATTERY



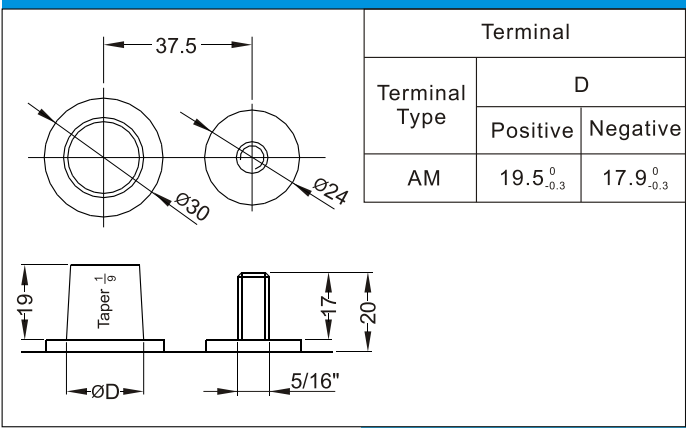
Dimensions (mm)



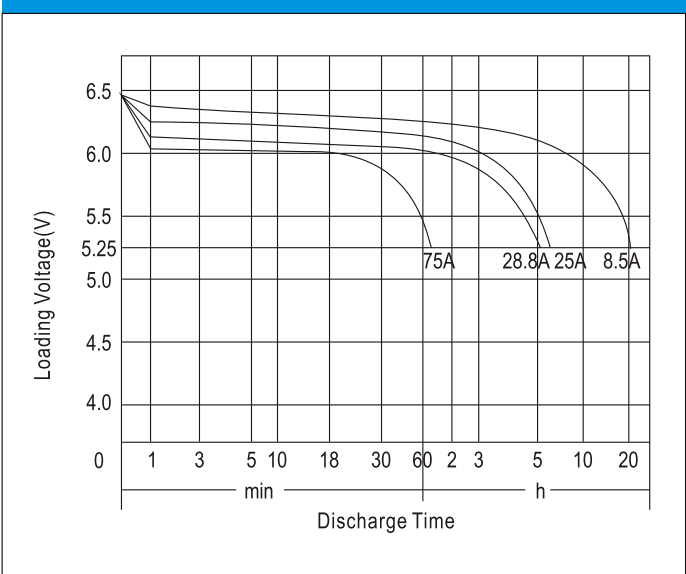
Physical Specification (mm)

Nominal Voltage	8V	
Nominal Capacity(20HR)	170Ah	
Nominal Capacity(5HR)	144Ah	
Dimension	Length	260 ± 2mm(10.24inches)
	Width	180 ± 2mm(7.09inches)
	Container Height	254 ± 2mm(10.00inches)
	Total Height(with Terminal)	274 ± 2mm(10.79inches)
Dry Weight	/	
Wet Weight	Approx 32.0Kg(70.5lbs)	
Acid	1.310 ± 0.015g/cm ³ (25°C)	
Standard Terminal	AM	
Hold-Down	/	
Cell plate qty	/	
Case	Black-Material	
Cover	Black-Material	
Handle	Black-Material	

Standard Terminal (mm)



Discharge Characteristics(25°C,70°F)



Electrical Specification

Rated Capacity	20 hour rate(8.5A)	170Ah
	5 hour rate(28.8A)	144Ah
Reserve Capacity	25Amps	361min
Reserve Capacity	75Amps	75min